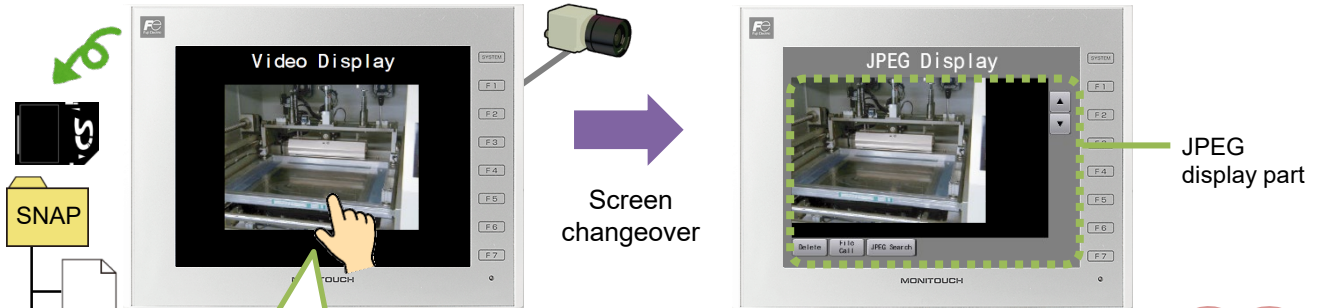


# <Proposal for Improving Operation> Display Images More Easily by Using Picture Viewer!

Before

If order to display a snapshot taken from a video display, a dedicated screen with a JPEG display part is necessary.



When there are many saved files it's troublesome to change the file to display.



The name of a file needs to be specified in order to display it and on top of that only JPEG files can be displayed.

## Optimize by using Picture Viewer!

\* Supported by V-SFT version 6.1.1.0 and later

After

- 1) No need to make a screen dedicated to displaying JPEG files!
- 2) PNG files and Bitmap files can also be displayed!
- 3) A file can be specified for display by using a macro command!
- 4) Zooming and rotating of images is supported!

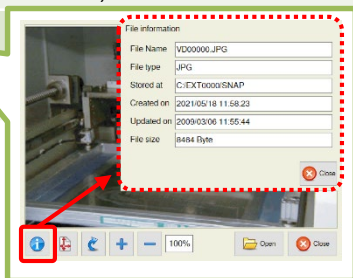


Files can be easily selected from storage!  
Images can be viewed in detail by zooming!



### Differences between Picture Viewer and a JPEG display part

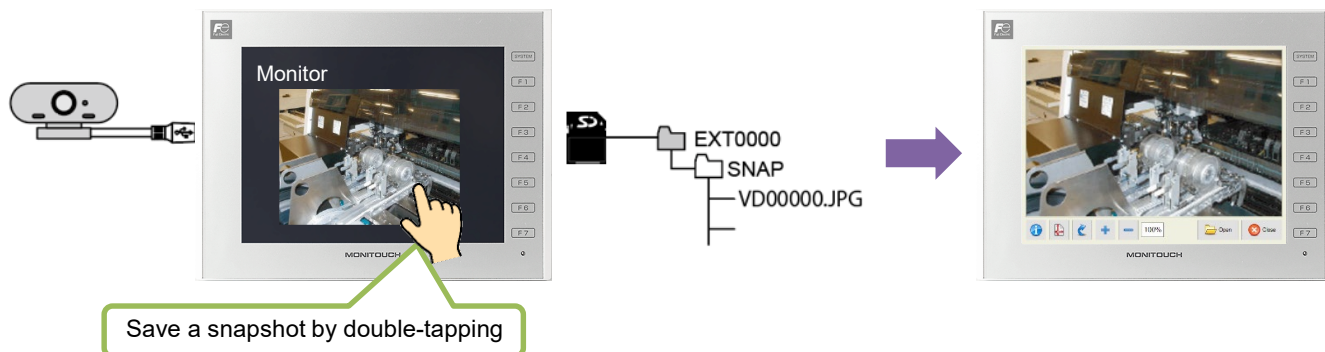
Item	Picture Viewer	JPEG Display Part
Placement on screen	Not required	Required
Display method	<ul style="list-style-type: none"> <li>Switch</li> <li>System menu (can also be displayed in local mode)</li> <li>PLC command</li> </ul>	Displayed at all times on a dedicated screen (cannot be displayed in local mode)
Supported file formats	JPEG(.JPG) PNG(.PNG) BITMAP(.bmp)	JPEG(.JPG)
Filename	<ul style="list-style-type: none"> <li>PICTxxxx (xxxx: 00000 to 99999)</li> <li>Arbitrary filename (max. 64 one-byte characters or max. 32 two-byte characters)</li> </ul>	<ul style="list-style-type: none"> <li>JPxxxx.jpg (xxxx: 00000 to 32767)</li> <li>Arbitrary filename (max. 64 one-byte characters or max. 32 two-byte characters)</li> <li>VDxxxx.jpg (xxxx: 00000 to 32767)</li> </ul>
File storage location	When displaying with a switch or by PLC command: (access folder)¥PICTURE * Switching between storages and folders where images are stored is possible while Viewer is displayed.	(access folder)¥JPEG or (access folder)¥SNAP * Switching between storages and folders where images are stored is not supported.
Zooming	Supported (50% to 200%)	Automatic enlarging or reducing to fit to display area
Displaying file information	Supported	Not supported
Rotating	Supported	Not supported



### Another convenient usage

Save an image file from real-time video captured by a USB camera!  
 Check the file using Picture Viewer!

\* Supported by V-SFT version 6.1.1.0 and later



Save a snapshot by double-tapping

Note: When showing Picture Viewer using a switch or PLC command to check snapshots saved from USB camera video, files need to be copied from the "SNAP" folder to the "PICTURE" folder and renamed using Storage Viewer and macro commands.