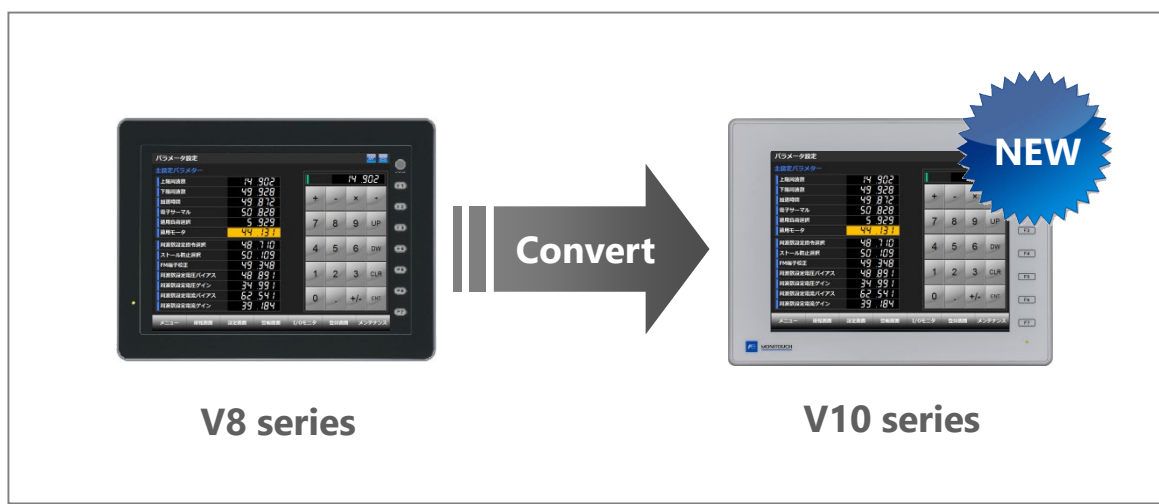


MONITOUCH

V10 Replacement Guidance [V8 series]



[- List of Recommended Replacement Models](#) [Page 2](#)

[- Configuration Software](#) [Page 6](#)

[- Screen Program Conversion](#) [Page 6](#)

List of Recommended Replacement Models

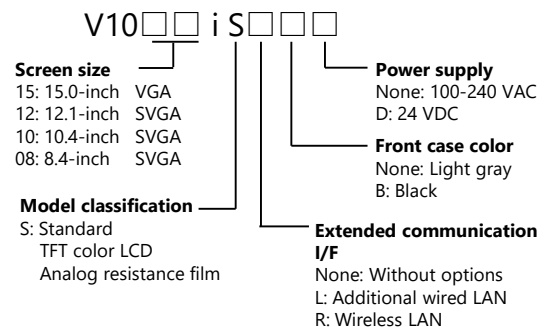
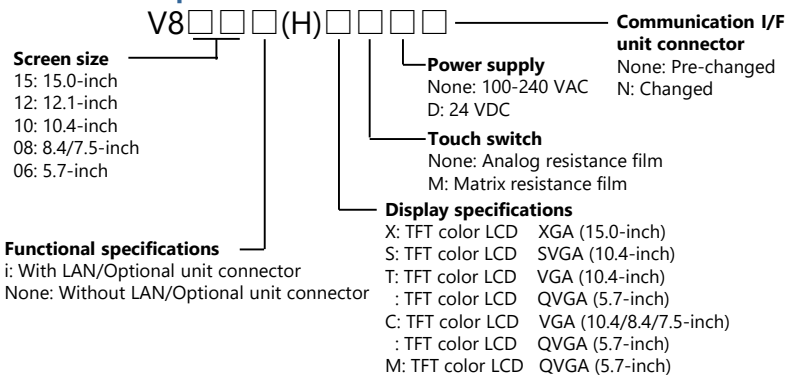
Following is a list of V10 replacement models for V8 series. Please check the model of V8 unit in use and select the recommended replacement model.

Size	V8 model		V10 model		Refer to
			Light Gray	Black	
15.0-inch XGA	V815iX(N)	-	V1015iS	V1015iSB	Page 3
	V815iXD(N)	-	V1015iSD	V1015iSBD	
12.1-inch SVGA	V812iS(N)	V812S(N)	V1012iS	V1012iSB	
	V812iSM(N) *1	V812SM(N) *1			
	V812iSD(N)	V812SD(N)	V1012iSD	V1012iSBD	
	V812iSMD(N) *1	V812SMD(N) *1			
10.4-inch SVGA	V810iS(N)	V810S(N)	V1010iS	V1010iSB	
	V810iSD(N)	V810SD(N)	V1010iSD	V1010iSBD	
8.4-inch SVGA	V808iSD(N)	V808SD(N)	V1008iSD	V1008iSBD	
10.4-inch VGA With Video display With RGB display *2	V810iT(N)	+ GU-xx	V1010iS	V1010iSB	
	V810iTM(N) *1	+ GU-xx			
	V810iTD(N)	+ GU-xx	V1010iSD	V1010iSBD	
	V810iTMD(N) *1	+ GU-xx			
10.4-inch VGA Without Video display Without RGB display	V810iT(N)	V810T(N)	If replaced with V10, the resolution will change from VGA to SVGA. If the same resolution model is required, use the V9 Lite model.		Page 5
	V810iTM(N) *1	V810TM(N) *1			
	V810iTD(N)	V810TD(N)			
	V810iTMD(N) *1	V810TMD(N) *1			
10.4-inch VGA	V810iC(N)	V810C(N)	Not available *3		
	V810iCM(N) *1	V810CM(N) *1			
	V810iCD(N)	V810CD(N)			
	V810iCMD(N) *1	V810CMD(N) *1			
8.4-inch VGA	V808iCD(N)	V808CD(N)	There are no 5.7-inch models in the V10 series. Use TS2060i which has the same size and resolution.		
7.5-inch VGA	V808iCH	V808CH			
5.7-inch QVGA	V806iTD(N)	V806TD(N)			
	V806iCD(N)	V806CD(N)			
	V806iMD(N)	V806MD(N)			

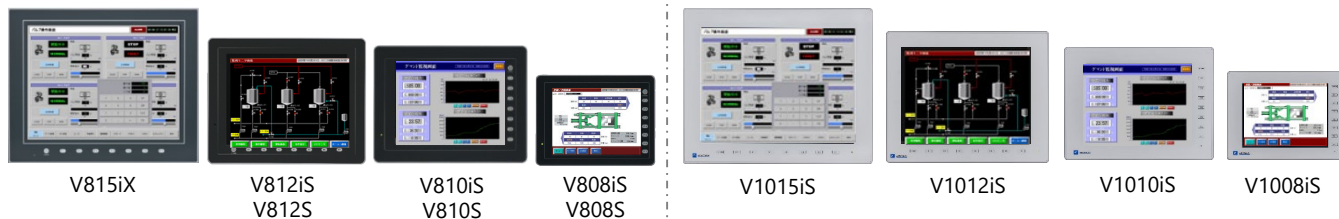
*1 The "M" in the model number means matrix resistance film model. The touch switches have been changed to analog resistance film in V10.
 *2 When using Video/RGB display, the resolution will be changed by replacing with V10. The Video/RGB display function of V10 is scheduled to be supported in spring 2025.
 *3 V808CH/V808iCH is the handy model. There are no handy models in the V10 series. Continue to use V808CH/V808iCH.

* Models with few restrictions on use are described above list of recommended replacement models. It is also possible to replace V8 with V10 other than the recommended model. Select the model according to your system.

Model Description



- V815iX/V812S/V810S/V808S → V10 Standard



Hardware Specifications

Item		V815iX/V812S/V810S/V808S	V10 Standard
Dimensions W x H x D (mm)	15.0-inch	382.8 x 312.8 x 81.1	382.8 x 312.8 x 79.2
	12.1-inch	326.4 x 259.6 x 69.0	327.8 x 261.0 x 53.4
	10.4-inch	303.8 x 231.0 x 69.0	303.8 x 231.0 x 53.8
	8.4-inch	233.0 x 178.0 x 65.8/65.6	235.0 x 180.0 x 48.7
Panel cut-out W x H (mm)	15.0-inch	369.4(+0.5/-0) x 299.4(+0.5/-0)	Same as on the left
	12.1-inch	313.0(+0.5/-0) x 246.2(+0.5/-0)	
	10.4-inch	289.0(+0.5/-0) x 216.2(+0.5/-0)	
	8.4-inch	220.5(+0.5/-0) x 165.5(+0.5/-0)	
Display device		TFT color	Same as on the left
Display colors		65,536 colors	16.7 million colors *1
Resolution	15.0-inch	1024 x 768 dots	Same as on the left
	12.1/10.4/8.4-inch	800 x 600 dots	
Touch switch		Analog resistance film Matrix resistance film	Analog resistance film *2
Communication I/F	Serial	D-Sub 9-pin x1 : RS-232C / RS-422/485 Modular 8-pin x2 : RS-232C / RS-485	Same as on the left
	USB	USB-A x1, USB-B x1	USB-A x1, USB mini-B x1
	Ethernet	For model "i" only LAN x1: Standard equipment	LAN x1 : Standard equipment LAN2 x1 : Optional equipment *3
	Wireless LAN	Not available	WLAN x1 Optional equipment *3
	Network	Communication unit: CU-xx / CUN-xx	Communication unit: CUR-xx
Audio output		Optional unit: GU-00 - 03	Standard equipment
Video/RGB		Optional unit: GU-00 - 02, GU-10 - 11	Under development Scheduled to be released in spring 2025.
External storage device		CF card USB flash drive	SD/SDHC/SDXC card USB flash drive

*1 Only for displaying "picture" images, 3D parts, video / RGB input images and remote desktop window. All other content is displayed using 65,536 colors.

*2 It is not possible to press two points on the screen at the same time on V10. For two-point press, change the setting to use both a switch on the screen and a function switch.

*3 LAN2 is supported only for models with "L" in the model number. Wireless LAN is supported only for models with "R" in the model number.

- V810iT + GU-xx → V10 Standard

The optional Video/RGB unit of V10 is scheduled to be released in spring 2025.

When using V810iT + GU-xx to display video/RGB, replace with V1010iS.

The screen resolution differs between V810iT and V1010iS.

V810iT: 640 x 480 → V1010iS: 800 x 600 dots

When converting the screen program from V8 to V10, use automatic resizing feature of V-SFT. If the layout is changed, adjust it manually.



V810iT

+



GU-xx



V1010iS

+

Optional unit
Under development

Hardware Specifications

Item		V810iT + GU-xx	V10 Standard
Dimensions W x H x D (mm)		303.8 x 231.0 x 69.0	303.8 x 231.0 x 53.8
Panel cut-out W x H (mm)		289.0(+0.5/-0) x 216.2(+0.5/-0)	Same as on the left
Display device		TFT color	Same as on the left
Display colors		65,536 colors	16.7 million colors *1
Resolution		640 x 480 dots	800 x 600 dots *2
Touch switch		Analog resistance film Matrix resistance film	Analog resistance film *3
Communication I/F	Serial	D-Sub 9-pin x1 : RS-232C / RS-422/485 Modular 8-pin x2 : RS-232C / RS-485	Same as on the left
	USB	USB-A x1, USB-B x1	USB-A x1, USB mini-B x1
	Ethernet	LAN x1: Standard equipment	LAN x1 : Standard equipment LAN2 x1 : Optional equipment *4
	Wireless LAN	Not available	WLAN x1 Optional equipment *4
	Network	Communication unit: CU-xx / CUN-xx	Communication unit: CUR-xx
Audio output		Optional unit: GU-00 - 03	Standard equipment
Video/RGB		Optional unit: GU-00 - 02, GU-10 - 11	Under development Scheduled to be released in spring 2025.
External storage device		CF card USB flash drive	SD/SDHC/SDXC card USB flash drive

*1 Only for displaying "picture" images, 3D parts, video / RGB input images and remote desktop window. All other content is displayed using 65,536 colors.

*2 The resolution is SVGA. When converting the screen program, use automatic resizing feature of V-SFT. If the layout is changed, adjust it manually.

*3 It is not possible to press two points on the screen at the same time on V10. For two-point press, change the setting to use both a switch on the screen and a function switch.

*4 LAN2 is supported only for models with "L" in the model number. Wireless LAN is supported only for models with "R" in the model number.

- V810T/V810C/V808C → V10 Standard

The screen resolution differs between V810T/V810C/V808C and V10 Standard.
 V8: 640 x 480 → V10: 800 x 600 dots

If the same resolution model is required, use the V9 Lite model.

When converting the screen program from V8 to V10, use automatic resizing feature of V-SFT. If the layout is changed, adjust it manually.

Recommended Replacement Models

Size	V8 model		V10 model	
			Light gray	Black
10.4-inch VGA	V810iT(N)	V810T(N)	V1010iS	V1010iSB
	V810iTM(N) *1	V810TM(N) *1		
	V810iTD(N)	V810TD(N)	V1010iSD	V1010iSBD
	V810iTMD(N) *1	V810TMD(N) *1		
10.4-inch VGA	V810iC(N)	V810C(N)	V1010iS	V1010iSB
	V810iCM(N) *1	V810CM(N) *1		
	V810iCD(N)	V810CD(N)	V1010iSD	V1010iSBD
	V810iCMD(N) *1	V810CMD(N) *1		
8.4-inch VGA	V808iCD(N)	V808CD(N)	V1008iSD	V1008iSBD

*1 The "M" in the model number means matrix resistance film model. The touch switches have been changed to analog resistance film in V10.



V810iT/C, V810T/C



V808iC, V808C



V1010iS



V1008iS

Hardware Specifications

Item		V810T / V808C	V10 Standard
Dimensions W x H x D (mm)	10.4-inch	303.8 x 231.0 x 69.0	303.8 x 231.0 x 53.8
	8.4-inch	233.0 x 178.0 x 65.8	235.0 x 180.0 x 48.7
Panel cut-out W x H (mm)	10.4-inch	289.0(+0.5/-0) x 216.2(+0.5/-0)	Same as on the left
	8.4-inch	220.5(+0.5/-0) x 165.5(+0.5/-0)	Same as on the left
Display device		TFT color	TFT color
Display colors		65,536 colors	16.7 million colors *1
Resolution		640 x 480 dots	800 x 600 dots *2
Touch switch		Analog resistance film Matrix resistance film	Analog resistance film *3
Communi- cation I/F	Serial	D-Sub 9-pin x1 : RS-232C / RS-422/485 Modular 8-pin x2 : RS-232C / RS-485	Same as on the left
	USB	USB-A x1, USB-B x1	USB-A x1, USB mini-B x1
	Ethernet	For model "i" only LAN x1: Standard equipment	LAN x1 : Standard equipment LAN2 x1 : Optional equipment *4
	Wireless LAN	Not available	WLAN x1 Optional equipment *4
	Network	Communication unit: CU-xx / CUN-xx	Communication unit: CUR-xx
External storage device		CF card USB flash drive	SD/SDHC/SDXC card USB flash drive

*1 Only for displaying "picture" images, 3D parts, video / RGB input images and remote desktop window. All other content is displayed using 65,536 colors.

*2 The resolution is SVGA. When converting the screen program, use automatic resizing feature of V-SFT. If the layout is changed, adjust it manually.

*3 It is not possible to press two points on the screen at the same time on V10. For two-point press, change the setting to use both a switch on the screen and a function switch.

*4 LAN2 is supported only for models with "L" in the model number. Wireless LAN is supported only for models with "R" in the model number.

- Configuration Software

Use the configuration software V-SFT-6 for V10 and V8.

Model	Software	OS	Transferring cable ^{*1}
V8	V-SFT-6	Windows Vista (32bit, 64bit) Windows 7 (32bit, 64bit) Windows 8 (32bit, 64bit) Windows 8.1 (32bit, 64bit) Windows 10 (32bit, 64bit)	- USB cable (USB-B to USB-A) - LAN cable ^{*2} - V-CP (MJ to Dsub9) manufactured by Hakko Electronics Co., Ltd.
V10	V-SFT-6 Supported with version 6.2.0.0 or later	Windows 10 (32bit, 64bit) Windows 11(64bit)	- USB cable (USB mini-B to USB-A) - LAN cable ^{*3} - V-CP (MJ to Dsub9) manufactured by Hakko Electronics Co., Ltd.

*1 The screen program can be transferred via SD card/USB flash drive when using V10 and CF card/USB flash drive when using V8.

*2 Available for models with "i" in the model number or when CU(N)-03-x is installed on the V8 unit.

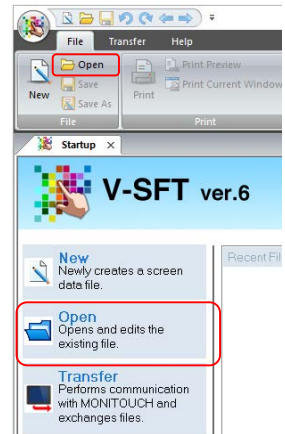
*3 LAN connector of V10 supports Auto-MDIX. Straight/crossover cables can be used with or without HUB.

- Screen Program Conversion

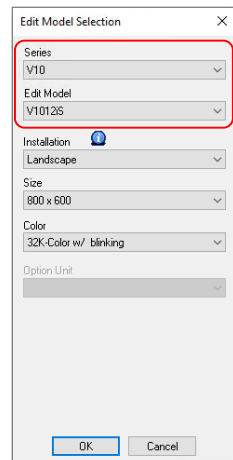
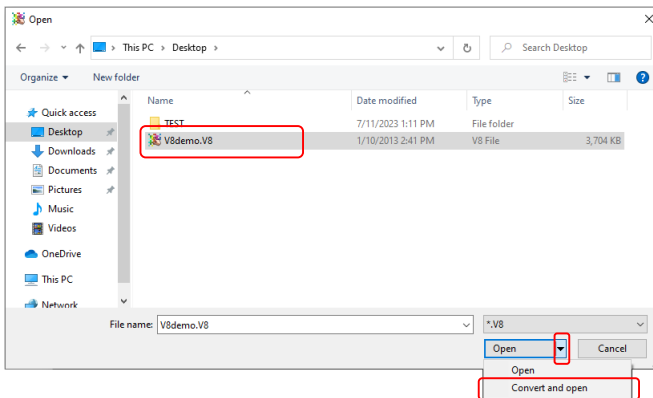
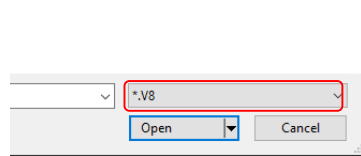
The screen program can be converted from V8 to V10 using V-SFT-6 (configuration software for V series).

- Conversion procedures

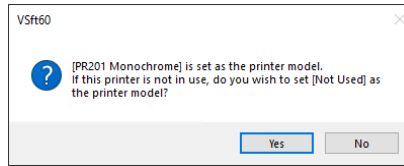
1. Start V-SFT and click [Open] in the Startup menu or [Open] in the [File] menu. The screen program file can also be opened by dragging it onto V-SFT-6. If using this method, proceed to step 4.
2. Change the file extension to [*.V8] in the [Open] dialog.



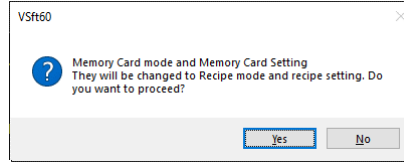
3. Select the V8 series screen program file and click [Convert and open]. The [Edit Model Selection] dialog appears.
4. Select the V10 series model and click [OK].



- The dialog on the right may be displayed.
When connecting to a printer : Click [Yes]
When not connecting to a printer : Click [No]

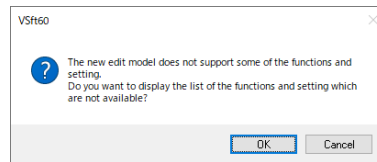


- The dialog on the right may be displayed.
Click [Yes].



* The data conversion in the storage device is required. Refer to the Memory Card Mode Conversion Manual.

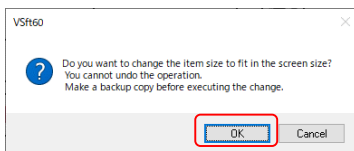
- When converting the program with different resolution, the dialog shown to the right will appear.
When enlarging parts: Click [Yes]
When not enlarging parts: Click [No]



* If the layout is changed, adjust it manually.

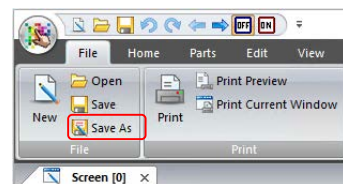
- The following dialog may be displayed.
Click [Yes] to display the error check window and check the functions and setting which are not available.
Check [solution] and modify it.

If the same warning message appears even in the V8 screen program before conversion, the warning does not affect the program and you can use it without modification.



Error Check				
		0 Error	2 Warning	
Category	Location	Explanation	Solution	
Warning	Overlap Library[7]	Normal Overlap	Overlap larger than the screen is created.	Set the overlap
Warning	Overlap Library[8]	Normal Overlap	Overlap larger than the screen is created.	Set the overlap

- The screen program converted to V10 series is displayed on V-SFT.
Name and save the file.



The converted V10 screen program cannot be converted back to the V8 screen program. Confirm the operation with the V10 series unit before use.